

Master Access Controller

Cascade controllers for a more powerful controller

What is the master controller?

The Dahua network master access controller is a high-performance device that can be managed over LAN/WAN networks via web server or client. It can be used in large scale projects, such as industrial parks, commercial areas, banks, and government facilities. It's both powerful and competitive!

The controller's local panel offers powerful features. The panel can function normally with or without network access, as user credentials and time schedules are stored in flash memory.

Based on Dahua P2P server technology, the system can be easily remotely managed at any distance between the client and device.



Highlights



Targeted at Mid-Large Scale Projects

- Supports management of 200,000 users and storage of 150,000 logs. All events are pushed to the management platform
- One IP address can communicate with 68 doors



Powerful Functions

- Multiple doors can be independently controlled or grouped and configured with anti-passback rules
- Can operate offline. If network or CAN connection is interrupted, data is saved locally and pushed to platform after connection is restored



Security

- 8 alarm zones can be configured
- Cables stored in secure iron box

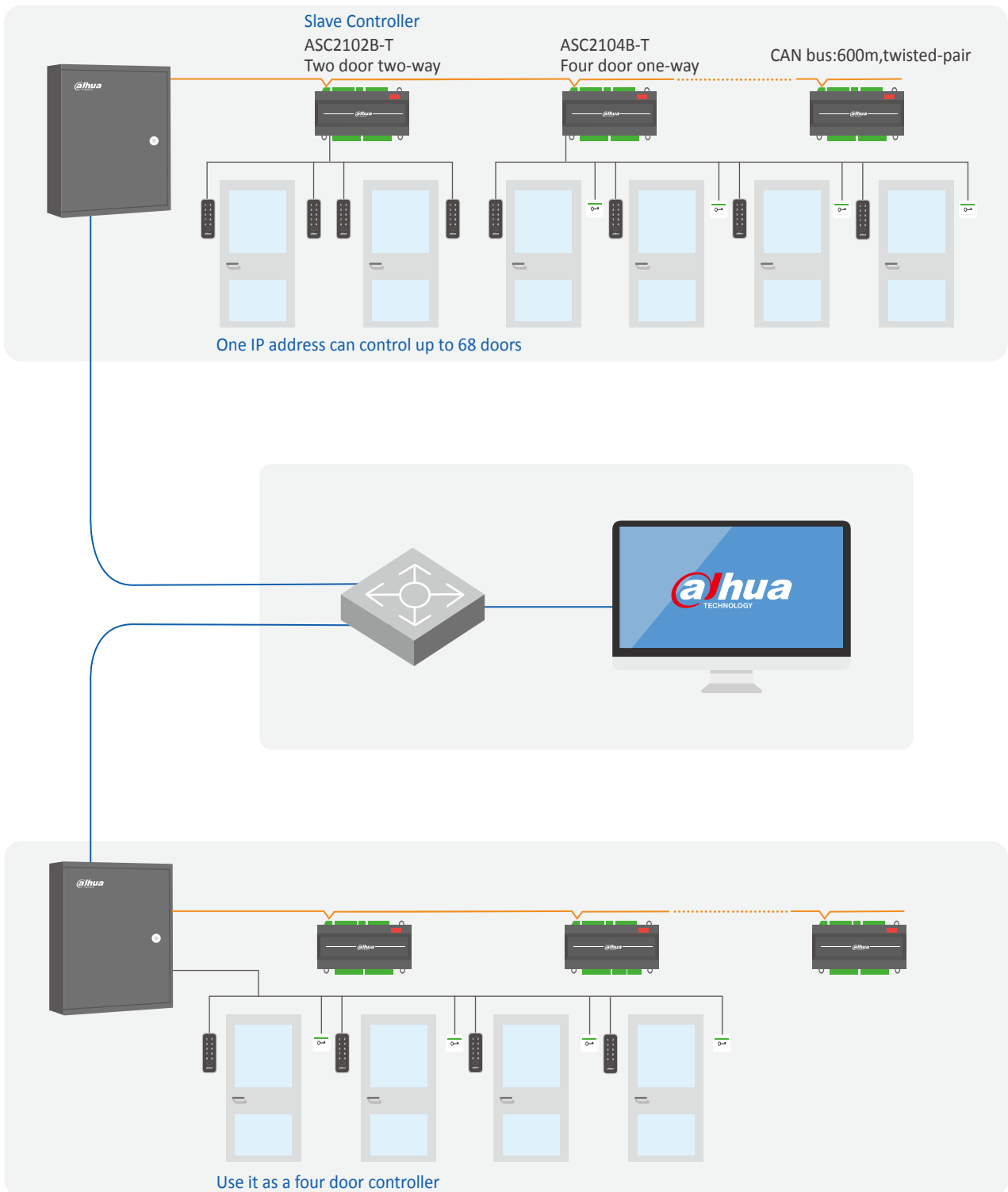
ONVIF®

Open

- Comes integrated with Onvif profile C protocol
- Dahua can offer CGI, SDK for customer integration

How does the system work?

The master controller functions as a central controller and can cascade up to 16 slave control modules for expansion. Dahua offers two optional expansion models: two door two-way and four door one-way. The controller can also be used as a standard four door controller.

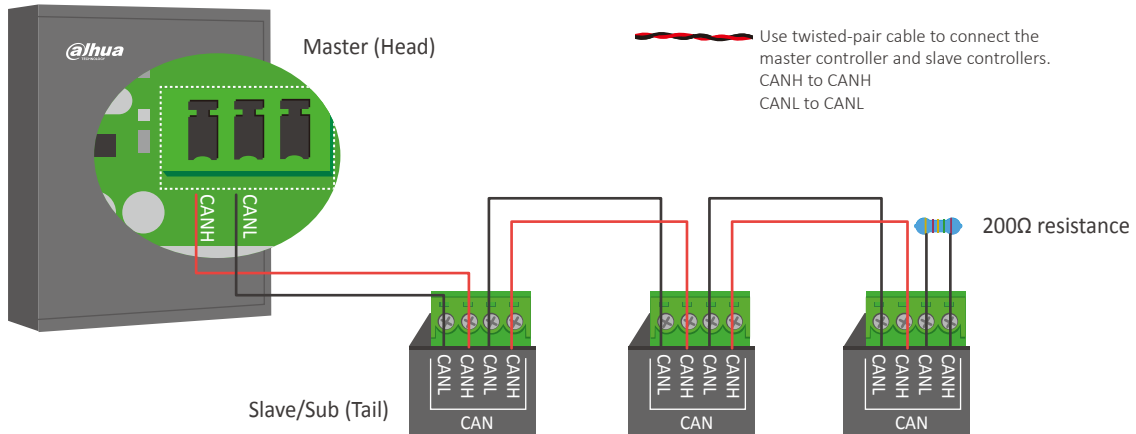


Why choose the master controller?

Reduce Costs

Now ✓
17 controllers use one network cable.

Before ✗
Every controller has a network cable.



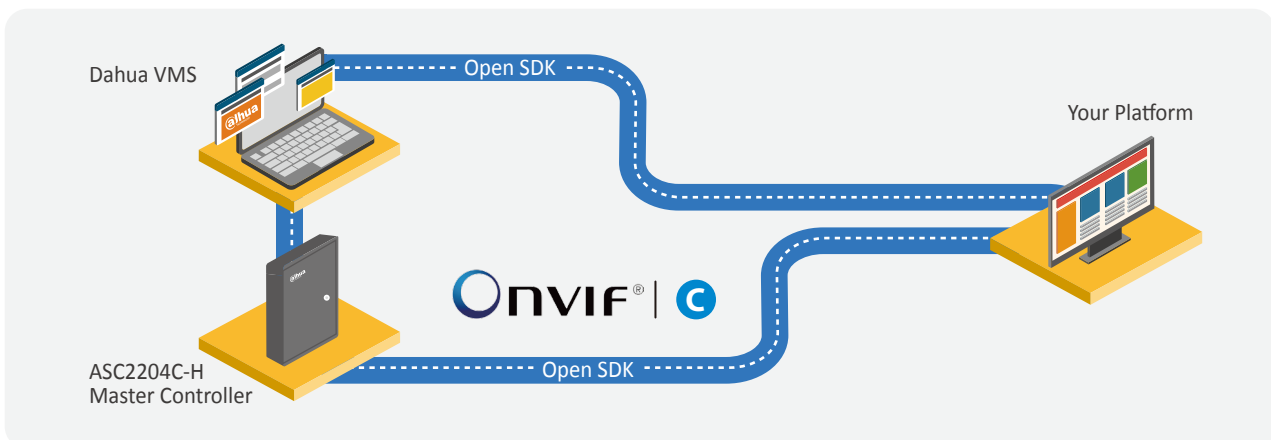
More Convenient

Use one IP to manage 68 doors. All slave control modules can be configured or upgraded over the master controller web server.

Alarm Input	Name	Alarm Type	Alarm Output Channel	Modify
1	Zone 1	Normally Open	1	✎
2	Zone 2	Normally Open	1	✎
3	Zone 2	Normally Open	1	✎
4	Zone 4	Normally Open	1	✎
5	Zone 5	Normally Open	1	✎
6	Zone 6	Normally Open	1	✎
7	Zone 7	Normally Open	1	✎
8	Zone 8	Normally Open	1	✎

3rd Party Compatibility

Standard API offers flexible support for 3rd party platforms. 3rd party readers can also connect to the Dahua controller via Wiegand interface.



Product Selection

ASC2204C-H Master Controller



Features

- Supports 200,000 valid cards & 150,000 records
- CAN bus can cascade 16 slave controller modules
- Supports card, password, fingerprint, and combination
- Wiegand or RS-485 interface for card readers
- Door close timeout alarm, intrusion alarm, duress alarm, and tamper alarm
- Global anti-passback, multi-door interlock, multi-personnel open, remote verification unlock
- Web service can used to configure slave controller
- Supports 128 efficient time and holiday schedules
- Built-in RTC, supports DST, NTP
- Surface mounted installation
- Accumulator battery extension
- Onvif Profile C, CGI, SDK to third party platforms

ASC2104B-T Four door one-way Slave Controller (Expansion)



Features

- Supports 20,000 valid cards & 30,000 records
- Supports card, password, fingerprint and combination
- Only works with ASC2204C-H with CAN bus
- Wiegand or RS-485 interface to readers
- Door timeout alarm, intrusion alarm, duress alarm, and tamper alarm
- Anti-passback, multi-door interlock, multi-personnel open
- Supports 128 efficient time and holiday schedules
- Surface mounted installation

ASC2102B-T Two door two-way Slave Controller (Expansion)



Features

- Supports 20,000 valid cards & 30,000 records
- Supports card, password, fingerprint and combination
- Only works with ASC2204C-H with CAN bus
- Wiegand or RS-485 interface to readers
- Door timeout alarm, intrusion alarm, duress alarm, and tamper alarm
- Anti-passback, multi-door interlock, multi-personnel open
- Supports 128 efficient time and holiday schedules
- Surface mounted installation

ENABLING A SAFER SOCIETY AND SMARTER LIVING

Dahua Mexico

Tel: +52 55 67231936
Email: sales.mx@global.dahuatech.com

Dahua Brazil

Tel: +55 11 32511871
Email: comercial.br@global.dahuatech.com

Dahua Thailand

Tel: +66 29382674
Email: info.th@global.dahuatech.com
hr.th@global.dahuatech.com

Dahua S.Korea

Tel: +82 7081618889
Email: DH-KOREA@global.dahuatech.com

Dahua Singapore

Tel: +65 65380952
Email: info.sg@global.dahuatech.com

Dahua Turkey

Email: sales.tr@global.dahuatech.com

Dahua Indonesia

Email: support.id@global.dahuatech.com
sales.id@global.dahuatech.com

Dahua Malaysia

Tel: +60376620731
Email: sales.mas@global.dahuatech.com

Dahua India

Tel: +91 1244569100
Email: sales.india@global.dahuatech.com

Dahua Russia

Tel: +7 (499) 682-60-00
Email: info@global.dahuatech.com

Dahua Kazakhstan

Tel: +7 727 3110838

Dahua UK

Tel: +44(0)1628 673 667
Email: sales.UK@global.dahuatech.com

Dahua Europe

Tel: +31 797999696

Dahua France

Email: sales.france@global.dahuatech.com

Dahua Iberia

Tel: +34 917649862
Email: sales.iberia@global.dahuatech.com

Dahua Italy

Tel: +39 3703446609
Email: sales.italy@global.dahuatech.com

Dahua Germany

Email: sales.de@global.dahuatech.com

Dahua CEE & Nordic

Tel: +48 223957400
Email: biuro.pl@global.dahuatech.com

Dahua S. Africa

Email: Dahua.sa@global.dahuatech.com

Dahua Australia

Tel: +61 299285200
Email: sales.oc@global.dahuatech.com

Dahua Middle East

Tel: +971 48815300
Email: sales.me@global.dahuatech.com

* Design and specifications are subject to change without notice.

Master Access Controller - 01, Jan. 2018



DAHUA TECHNOLOGY

No.1199 Bin'an Road, Binjiang District, Hangzhou, China. 310053

Tel: +86-571-87688883 Fax: +86-571-87688815

Email: overseas@dahuatech.com

www.dahuasecurity.com



© Dahua Technology, All rights reserved