



Electric Mute Lock User Manual DHI-ASF601A

CE FC RoHS

Read the manual before usage and keep for future reference.

Our electric lock, with the function: Lock status self-inspecting, wrong operation self-correcting, feature at high sensitivity, low voice, high-security. is the new generation of intelligent door locks.

A. Features

The length of bolt ≥ 20 mm, meet the standard of GA/T73-94 5.1.6 B; Can work compatible with building intercom, access control systems; If artificially open, the bolt will pull back automatically;

This lock is suitable for left, right, open, Inward and outward door; Wrongly opening, the lock will lock in 5-8 seconds automatically;

Voltage: DC12V - 18 v, current < 350 ma; Static < 350 mA, Standby Current is 25mA, time for opening is less than 1s;

Working life (more than 500000 times), high sensitivity, low power consumption.

B. Installation

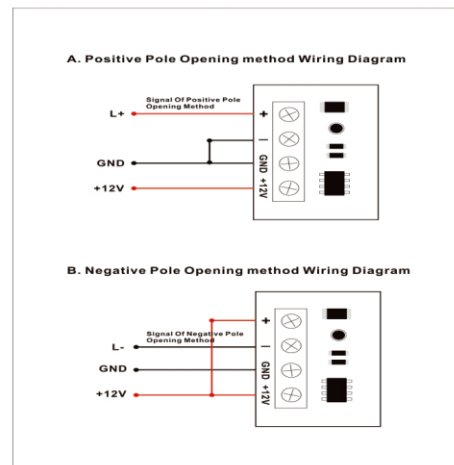
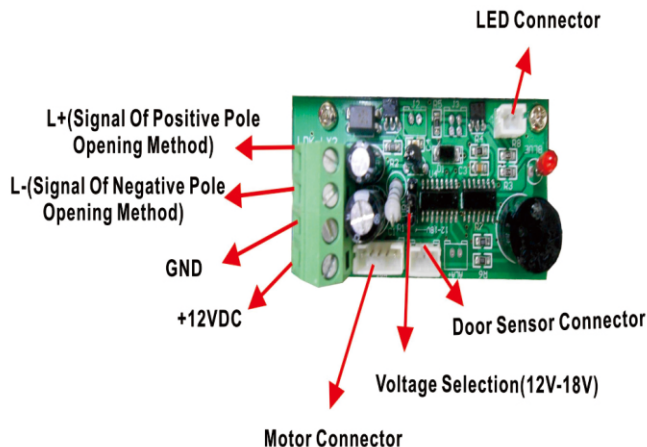
Install the lock according to the install diagram.

1. Install the bolt: check the consistency between the latch and the bolt, make sure the depth of the latch more than 10mm.

2. Install the lock body (locks should be in the state of open); Install lock pin (lock should be in the state of open);

3. Below is the wiring diagram:

Note: The logo above is the same as the circuit abroad of the lock.



A. if you want to connect the positive side to open the lock :please connect the contact "L -" and "GND" with A short wires, otherwise it cannot control the lock;(Please check the wiring diagram --A)

B. If you want to connect the negative side to open the lock, please connect the contact "+" and "L + 12 v" with a short wire, otherwise it cannot control the lock; (Please check the wiring diagram --B)

4. Install the base plate: Connect the lock to the power supply, fix the base plate with screw;

C. Check the circuit board by connecting the power (DC12-18V)

Make sure:

1. Close the door, the bolt will be out automatically

2. Input the door signal--OPEN (From the building intercom or Access control system), the bolt will hold back then the door will open, and after several minutes, the lock will close again.

3. Repeat the step-- 1, 2 confirm if the space between the bolt and bolt ensure the operation of lock.

D. FAQ

1. Close the door, but the lock don't lock. A, Check the power supply and the wiring. B. Check the reed switch, confirm if it is broken.

C. Check the space between the bolt and bolt, the Proper distance is 5~10mm. D, Check the installing position of the lock.

2. Input the signal--Open, but the lock don't open. A, Check the wiring of the access control system.

3. Manually opening the lock is not flexible

A. Check the connection head of plug, confirm it is stuck, make sure there is no foreign matter in the lock.

E. Notice

1. In case of damage the lock, we cannot install the lock by welding.

2. Development about the lock will be made without any notice. Any detail, please refers to the new version.

3. The lock is not used for the fire alarm system. It is forbidden to install the lock to the fire door, otherwise the consequence is proud. Any damage by welding during the installation, We won't repair it.