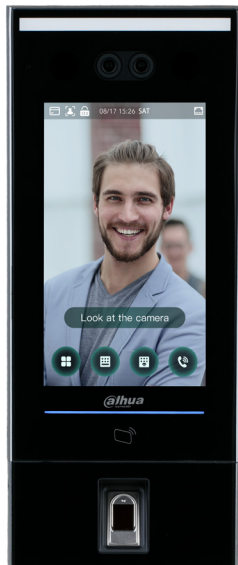


DHI-ASI7214X

Face Recognition Access Controller



- 2.5D curved screen
- 7 Inch LCD display with resolution of 1024×600
- 2 MP CMOS, WDR
- Vehicle level LCD whose working temperature is -30°C to 50°C
- IP65 (Silicone sealant is needed. For details, see the quick start guide.)
- Auto fill light reduces light pollution
- Can hold 100,000 users, 100,000 face images, 10,000 fingerprints, 100,000 cards, 100,000 password, 50 administrators, and 300,000 records
- Support face, fingerprint, IC card, password unlock and unlock through their combinations
- With face detection box; the largest face among faces that appear at the same time is recognized first; the maximum face size can be configured on the web
- Face-camera distance: 0.3 m–2.0 m; human height: 0.9 m–2.4 m (lens-ground distance: 1.4 m)
- With face recognition algorithm, the access controller can recognize more than 360 positions on human face
- Support liveness detection
- Face recognition speed: 0.2 s per face
- Accurate recognition in backlight and front light
- Various unlock status display modes protect user privacy
- Support duress alarm, tamper alarm, intrusion alarm, door contact timeout alarm, and illegal card exceeding threshold alarm
- Support general users, patrol users, VIP users, guest users, and special users
- Support Video Door Phone

Technical Specification

System

Main Processor	Embedded Processor
Internet Protocol	IPv4, RTSP, RTP, TCP, UDP, P2P, SIP
OSDP Protocol	Yes
Interoperability	ONVIF; CGI
SDK and API	Support SDK

Basic

Display	7 inch display
Screen Type	Capacitive screen
Resolution	600(H)×1024(V)
Camera	1/2.8" 2MP CMOS high definition WDR dual camera
WDR	120dB

Light Compensation	Auto white light Auto IR light
Status Indicator	1 indicator light. Red: Error; Green: Normal; Blue: Working
Voice Prompt	Yes
Housing Material	Aluminium alloy/tempered glass/PC

Function

Unlock Mode	Card/Remote/Fingerprint/Password/Face unlock and unlock through their combinations
Card Reading Type	IC card
Period List	128
Holiday Period	128
First-Card Unlock	Yes

Remote Verification	Yes
Peripheral Card Reader	1 RS-485, 1 Wiegand
Multiple Authentication	Yes
Real-Time Surveillance	Yes
Web Configuration	Yes

Performance

Card Reading Distance	1cm–3cm
Face Recognition Range	Face-camera distance: 0.3 m–2.0 m Human height: 0.9m–2.4 m
Face Verification Accuracy	≥99.5%
Face Recognition Time	0.2s
Fingerprint Sensor Type	Capacitive
Fingerprint Verification Mode	1: N
Fingerprint Comparison Time	≤1.5s

Capacity

User Capacity	100,000
Face Image Capacity	100,000
Fingerprint Capacity	10,000
Card Capacity	100,000
Password Capacity	100,000
Record Capacity	300,000 records

Port

RS-485	1
RS-232	1
Wiegand	1 (input or output)
USB	2 USB2.0 port
Ethernet	2 Ethernet Port
Alarm Input	2 (Switch quantity)
Alarm Output	2 (Relay)
Alarm Linkage	Yes
Exit Button	1
Door Status Detection	1
Lock Control	1

Alarm

Anti-Passback	Yes
Tamper	Yes
Duress	Yes
Door Sensor Timeout	Yes
Intrusion	Yes

Illegal Card Exceeding Threshold	Yes
Duress Fingerprint	Yes

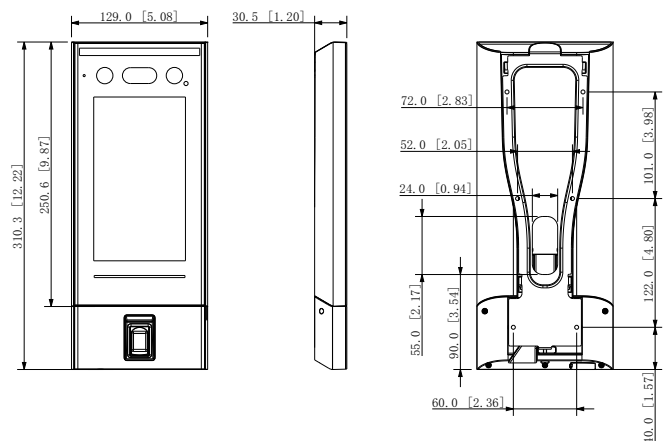
General

Power Supply	Provided
Power Supply Mode	DC 12V 2A
Protection Grade	IP65 (Silicone sealant is needed. For details, see the quick start guide.)
Power Consumption	24W
Product Dimensions	250.6mm×129.0mm×30.5mm(9.87"×5.08"×1.20")
Packaging Dimensions	Controller packing: 380mm×235mm×124mm (14.96"×9.25"×4.88") Protective case: 494mm×402mm×275mm (19.45"×15.83"×10.83")
Working Temperature	-30°C to +50°C (-22°F to +122°F)
Working Humidity	0%RH–90%RH (non-condensing)
Working Environment	Indoor and outdoor
Gross Weight	2.0kg (4.41 lb)
Installation Method	Wall mounted
Certification	CE/FCC

Ordering Information

Type	Model	Description
Face Recognition Access Controller (IC card; fingerprint; outdoor)	DHI-ASI7214X	7-inch Face and Fingerprint Recognition Access Controller (IC card; outdoor)

Dimensions (mm[inch])



Application

