

蓝牙门禁读卡器

快速操作手册
V1.0.0



请扫描二维码
查看说明书

1.2.51.32.13603-000

前言

概述

本文档详细描述了读卡器的设备结构、设备安装等内容。

符号约定

在本文档中可能出现下列标志，代表的含义如下。

符号	说明
	危险 表示有高度潜在危险，如果不能避免，会导致人员伤亡或严重伤害。
	警告 表示有中度或低度潜在危险，如果不能避免，可能导致人员轻微或中等伤害。
	注意 表示有潜在风险，如果忽视这些文本，可能导致设备损坏、数据丢失、设备性能降低或不可预知的结果。
	电击防护 表示高压危险。
	激光防护 表示强激光辐射。
	防静电 表示静电敏感的设备。
	窍门 表示能帮助您解决某个问题或节省您的时间。
	说明 表示是正文的附加信息，是对正文的强调和补充。

重要安全须知

下面是关于产品的正确使用方法以及预防危险、防止财产受到损失等内容，使用时请务必遵守。在使用此产品前，请认真阅读此手册并妥善保存以备日后参考。

警告

- 请务必按照要求使用电池，否则可能导致电池起火、爆炸或燃烧的危险！
- 更换电池时只能使用同样类型的电池！
- 产品必须使用本地区推荐使用的电线组件（电源线），并在其额定规格内使用。

- 请使用满足SELV（安全超低电压）要求的电源，并按照IEC60950-1符合 Limited Power Source（受限制电源）的额定电压供电，具体供电要求以设备标签为准。
- 请将I类结构的产品连接到带保护接地连接的电网电源输出插座上。
- 如果使用电源插头或器具耦合器等作为断开装置，请保持断开装置可以方便的操作。

注意

- 请在设备布控后及时修改用户的默认密码，以免被人盗用。
- 请不要将设备放置和安装在阳光直射的地方或发热设备附近。
- 请不要将设备安装在潮湿、有灰尘或煤烟的场所。
- 请保持设备的水平安装，或安装在稳定的场所，注意防止本产品坠落。
- 请勿将液体滴到或溅到设备上，并确保设备上不能放置装满液体的物品，防止液体流入设备。
- 请安装在通风良好的场所，切勿堵塞设备的通风口。
- 仅可在额定输入输出范围内使用设备。
- 请不要随意拆卸设备。
- 请在允许的湿度和温度范围内运输、使用和存储设备。

特别声明

- 产品请以实物为准，说明书仅供参考。
- 说明书和程序将根据产品实时更新，如有升级不再另行通知。
- 如不按照说明书中的指导进行操作，因此造成的任何损失由使用方自己承担。
- 说明书可能包含技术上不准确的地方、或与产品功能及操作不相符的地方、或印刷错误，以公司最终解释为准。

1 概述

读卡器作为读卡设备，实现了在对视频监控、可视对讲产品的补充和完善。产品外观简洁时尚、功能强大，适合高端商业大厦、集团物业和智能社区。

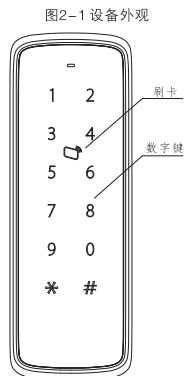
读卡器具有丰富的功能，功能如下：

- 本读卡器可选（13.56MHZ/125KHZ）两种频率，支持读卡、密码、卡+密码的方式。
- 提供标准韦根输出或RS485输出。
- 读卡距离2.8cm~5cm，刷卡相应时间<0.1s。
- 支持看门狗功能。
- 支持蓝牙开门，空旷场景距离在10m以内。
- 支持OSDP协议。
- 具备防雷防静电防短接功能。
- 带蜂鸣器和指示灯提示功能。

2 设备结构

2.1 设备外观

设备外观如图2-1所示。



外接控制器接口对应的接线说明请参见表2-1。

表2-1 外接控制器接线说明

接线颜色	接线端子	说明
红	12V电源	读卡器电源
黑	GND	
蓝	CASE（防拆报警反馈）	韦根读卡器
白	D1	
绿	D0	
棕	LED	
黄	RS485-	RS485读卡器
紫	RS485+	

2.2 结构尺寸

读卡器的结构尺寸如图2-2、图2-3所示，尺寸单位为mm。

图2-2 结构尺寸（有数字键）

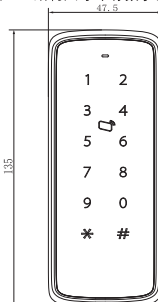
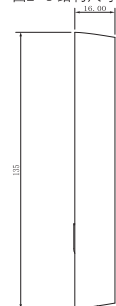


图2-3 结构尺寸



3 设备安装

读卡器的安装示意图如图3-1和图3-2所示。

图3-1 安装示意图（1）

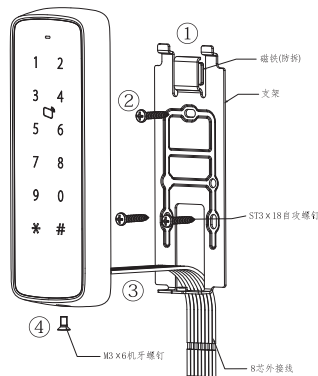
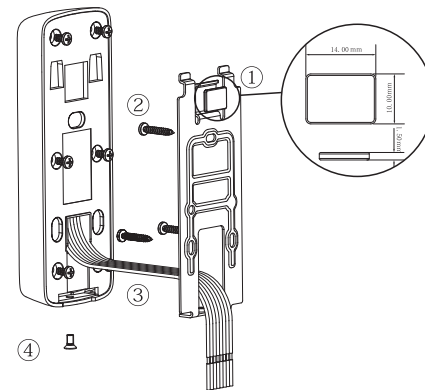


图3-2 安装示意图（2）



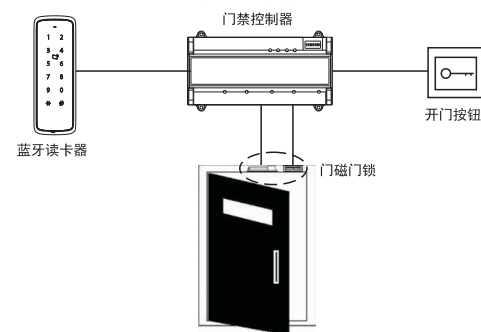
安装步骤如下：

- 先将磁铁吸附安装在支架预定的位置。
- 将安装支架通过ST3x18自攻螺钉固定在墙上。
- 将设备的8芯外接线如图3-1和图3-2所示穿过支架。
- 将设备通过挂孔挂在支架挂钩上，拉直8芯外接线，并通过底部M3X6螺丝固定。

4 系统架构

蓝牙读卡器与门禁控制器、开门按钮、门磁、门锁之间的系统架构如图4-1所示。

图4-1 系统架构



5 蓝牙开门

支持在手机客户端上通过蓝牙功能开门，详细的APP操作和开门操作请扫描封面上的二维码获取。

Bluetooth Card Reader

Quick Start Guide V1.0.0



1.2.5f1.32.13603-000

Preface

Overview

This document elaborates on structure and installation of card reader.

Symbol Definition

The following symbols may appear in this document. And their meanings are as follows:

Symbol	Note
	It indicates a potentially hazardous situation which, if not avoided, could result in death or serious injury.
	It indicates a moderate or low level of potential danger which, if not avoided, could result in minor or moderate injury.
	It indicates a potential risk that, if ignored, could result in damage to device, loss of data, degraded performance, or unpredictable results.
	It means electrostatic-sensitive device.
	It means high-voltage danger.
	It means intensive laser radiation.
	It means that it can help you to solve some problems or save your time.
	It means the additional information, which is to emphasize or supplement.

Important Safeguards and Warnings

The following description is the correct application method of the device. Please read the manual carefully before use, in order to prevent danger and property loss. Strictly conform to the manual during application and keep it properly after reading.

Operating Requirement

- Please don't place and install the device in an area exposed to direct sunlight or near heat generating device.
- Please don't install the device in a humid, dusty or fuliginous area.
- Please keep its horizontal installation, or install it at stable places, and prevent it from falling.

- Please don't drip or splash liquids onto the device; don't put on the device anything filled with liquids, in order to prevent liquids from flowing into the device.
- Please install the device at well-ventilated places; don't block its ventilation opening.
- Use the device only within rated input and output range.
- Please don't dismantle the device arbitrarily.
- Please transport, use and store the device within allowed humidity and temperature range.

Power Requirement

- Please make sure to use batteries according to requirements; otherwise, it may result in fire, explosion or burning risks of batteries!
- To replace batteries, only the same type of batteries can be used!
- The product shall use electric cables (power cables) recommended by this area, which shall be used within its rated specification!
- Please use standard power adapter matched with the device. Otherwise, the user shall undertake resulting personnel injury or device damage.
- Please use power supply that meets SELV (safety extra low voltage) requirements, and supply power with rated voltage that conforms to Limited Power Source in IEC60950-1. For specific power supply requirements, please refer to device labels.
- Products with category I structure shall be connected to grid power output socket, which is equipped with protective grounding.
- Appliance coupler is a disconnecting device. During normal use, please keep an angle that facilitates operation.

1 Overview

As a reader device, the reader complements and improves video surveillance and visual intercom products. With neat fashionable appearance and powerful function, it is designed for high-end commercial buildings, corporation buildings, corporation properties and intelligent communities.

The reader boasts rich functions as follows:

- With 13.56MHZ/125KHZ frequencies, support card, password, card + password.
- Support standard Wiegand output and RS485 output.
- Reading distance is 2.8cm~5cm and response time is <0.1s.
- Support watchdog function.
- Support to unlock with Bluetooth, within 10m in capacious scenario.
- Support OSDP protocol.
- Support lightning protection, static electricity prevention and short circuit prevention function.
- Support buzzer and indicator light.

2 Device Structure

2.1 Appearance

Device appearance is shown in Figure 2-1.

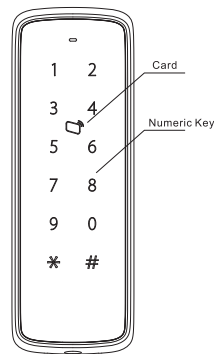


Figure 2-1

For wiring description of external controller port, please refer to Table 2-1.

Wire Color	Wiring Terminal	Description
Red	12V power	Reader power
Black	GND	
Blue	CASE (tamper-proof alarm feedback)	Wiegand reader
White	D1	
Green	D0	
Brown	LED	
Yellow	RS485-	RS485 reader
Purple	RS485+	

Table 2-1

2.2 Structural Dimension

Structural dimensions of the reader are shown in Figure 2-2 and Figure 2-3. Unit is mm.

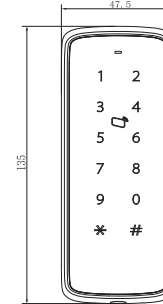


Figure 2-2

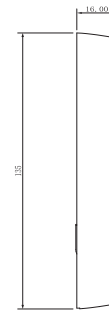


Figure 2-3

3 Device Installation

Installation diagrams of the reader are shown in Figure 3-1 and Figure 3-2.

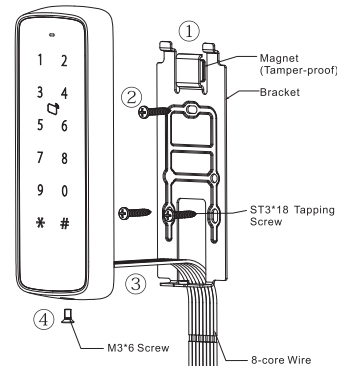


Figure 3-1

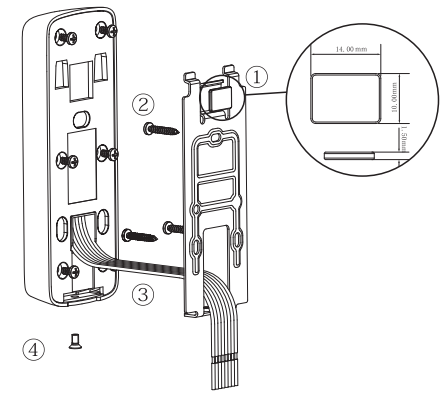


Figure 3-2

Installation steps are as follows:

- Step 1 Install the magnet to predetermined position of the bracket.
- Step 2 Install the bracket onto the wall with ST3 × 18 tapping screw.
- Step 3 Put 8-core wire of the device through the bracket, as shown in Figure 3-1 and Figure 3-2.
- Step 4 Through the hole, hang the device onto the bracket hook, straighten 8-core wire and fix it with M3 × 6 screws at the bottom.

4 System Framework

System framework of the reader, access controller, exit button, door sensor and lock is shown in Figure 4-1.

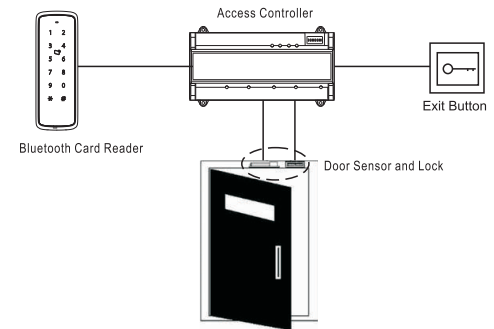


Figure 4-1

5 Unlock with Bluetooth

Support to unlock a door with Bluetooth on mobile phone client. Please scan the QR code on the cover page for detailed APP operation and unlocking operation.