

# DHI-ASGB8XXY-X

## Swing barrier



### System Overview

Swing turnstiles of 8 series Y model integrate access control module, turnstile control module, alarm module, and more. Support IC card reading function; fingerprint sensor, bar code reader, and face recognition modules are custom; adopt wired system: RS-485 and RS-232.

### Scene

Applicable to outdoor environment like industrial parks, office buildings, schools, factories, CBD, residential areas, and more.

### Technical Specification

#### Basic

Product Dimensions	1600 mm × 220 mm × 1000 mm (62.99" × 8.66" × 39.37")
Surface Processing	Nanometer film
Casing Material	SUS304 1.5 mm
Barrier Material	Acrylic
Motor Type	Brushless servo motor
Light Curtain	20 pairs
IR Detector	10 pairs
Digital Quantity Port	2 I/O ports

#### Functions

RS-232 port	1 for debugging
Anti-collision	Yes
Anti-pinch	Yes

- Brushless servo motor.
- The motor can be used more than 5 million times.
- Barriers will be closed automatically if no one enters the turnstile after the identity is verified.
- Parameters can be restored to default settings.
- 20 pairs of IR light curtain and 10 pairs of IR detector.
- Support sound and light alarm prompt and volume adjustment.
- The lock and unlock of barriers can be controlled by remote controller (not provided).
- 4 types of security settings.
- When receiving fire alarm signals, the turnstile will be normally open, and the turnstile can output alarm signals.
- Mechanical anti-pinch and IR anti-pinch; anti-collision.
- 9 passing modes: Pass with identity verified, not allowed to pass, and pass without restrictions, and you can use the three modes in any combination.
- Unlock and lock speed, pass duration, and lock delay duration are adjustable.
- Support second unlock, memory mode, and unlock settings after power-off.
- Support intrusion alarm (entering and exiting), trailing alarm, stay overtime alarm, climbing turnstile alarm, unlock anomaly alarm, barrier anomaly alarm, IR anomaly alarm, communication anomaly alarm, and more.
- Support integration of face, fingerprint, QR code, CPU card reader/ ID card reader module and more to achieve a combination of multiple authentication.

Memorizing	Yes
Anti-shadowing	Yes
Unlock after Power-off	Not support
Sound and Light Prompt	Yes
Counting	Yes

#### Performance

Alarm	Yes
Lock and Unlock Speed	0.6 s–1.6 s, adjustable
Passing Duration	2 s–60 s, adjustable
Lock Delay	0 s–60 s, adjustable
Rust Protection Level	210H
IP Grade	IPX4
Lifetime	≥ 5 million times
Passing Frequency	20 people/minute–40 people/minute

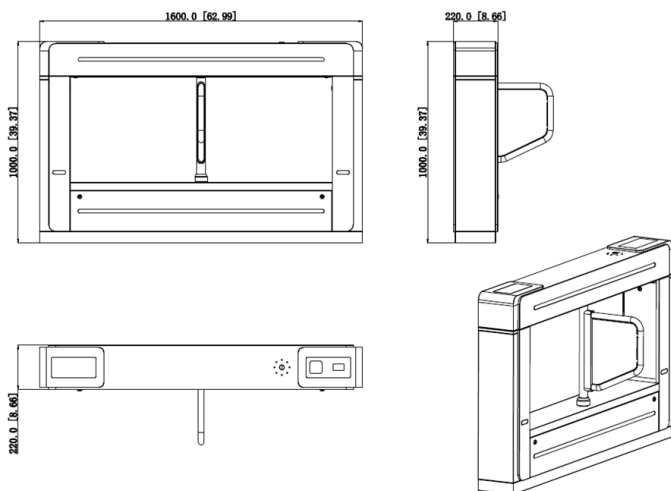
General

Noise Grade	Less than 60dB within 1.5 meters
Net Passage Width	Standard passage width: 600 mm Maximum custom passage width: 1200 mm
Gross Weight	Single-motor: ≤ 127 kg (279.99 lb) Double-motor: ≤ 137 kg (302.03 lb)
Net Weight	Single-motor: ≤ 100 kg (220.46 lb) Double-motor: ≤ 110 kg (242.51 lb)
Packing Material	Carton + wooden pallet
Power Supply Mode	AC: 100V–240V 1.5A 50/60HZ
Power Consumption	Single-motor: standby ≤ 20w, working ≤ 100w Double-motor: standby ≤ 40w, working ≤ 200w
Working Temperature	-30°C to 70°C (-22°F to 158°F)
Working Humidity	10%RH-95%RH
Working Environment	Outdoor

Ordering Information

Type	Model	Description
Swing Turnstile	DHI-ASGB810Y-L	Swing barrier-DHI-ASGB810Y-L
	DHI-ASGB820Y-D	Swing barrier-DHI-ASGB820Y-D
	DHI-ASGB810Y-R	Swing barrier-DHI-ASGB810Y-R
	DHI-ASGB811Y-L	Swing barrier-DHI-ASGB811Y-L
	DHI-ASGB821Y-D	Swing barrier-DHI-ASGB821Y-D
	DHI-ASGB822Y-D	Swing barrier-DHI-ASGB822Y-D
	DHI-ASGB811Y-R	Swing barrier-DHI-ASGB811Y-R

Dimensions (mm[inch])



Application

