

Question 1:

I want to get alarm about „high temperature” and „No mask” on alarm1 or alarm2 output (NO type output on the device, CON2 cabel)

I set the device in Access mode to : Temp monitoring mode only

I set device in settings to : Mask intercept

Details	
Type	DHI
Model	DHI-ASI7213X-T1
Port	37777
MAC	08:ed:ed:e0:bf:a3
Subnet	255.255.255.0
Gateway	192.168.2.1
Serial No.	6E051FFRAJB1EF4
Version	V1.000.0000002.1.R
Build Date	2020-05-25

Answer:

I tested it on below version of firmware.



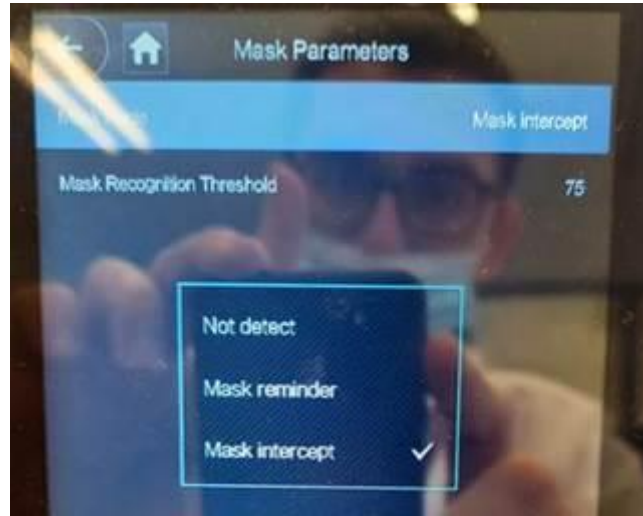
Recommended firmware You can download from: files.dahua.support → /Solutions/NCAC- with thermal module- kontrola dostępu/Firmware/ASI7213X-T1, ASI7213Y-V3-T1+ NVR、Express、DMSS、VTH/ASI7213X-T1 and ASI7223X-A-T1/

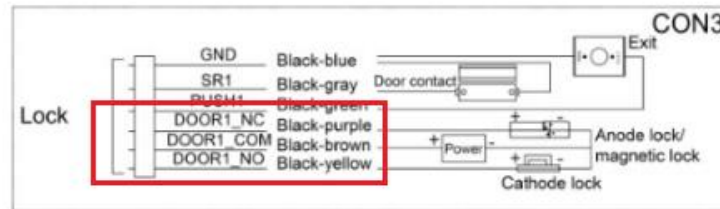
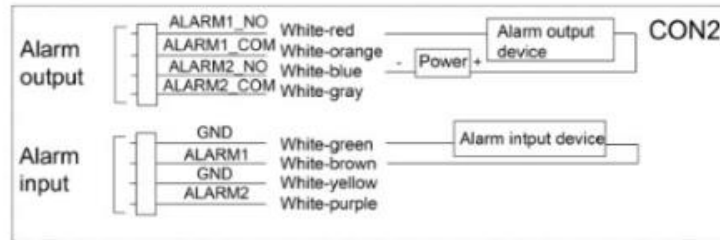
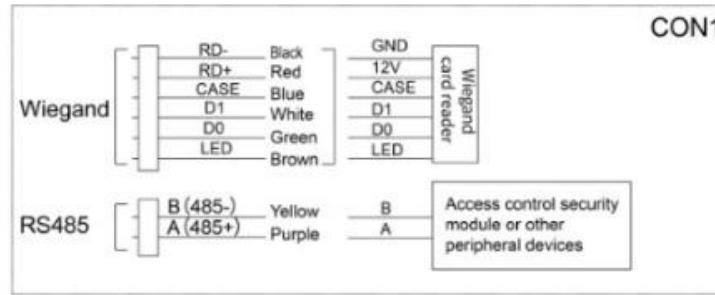
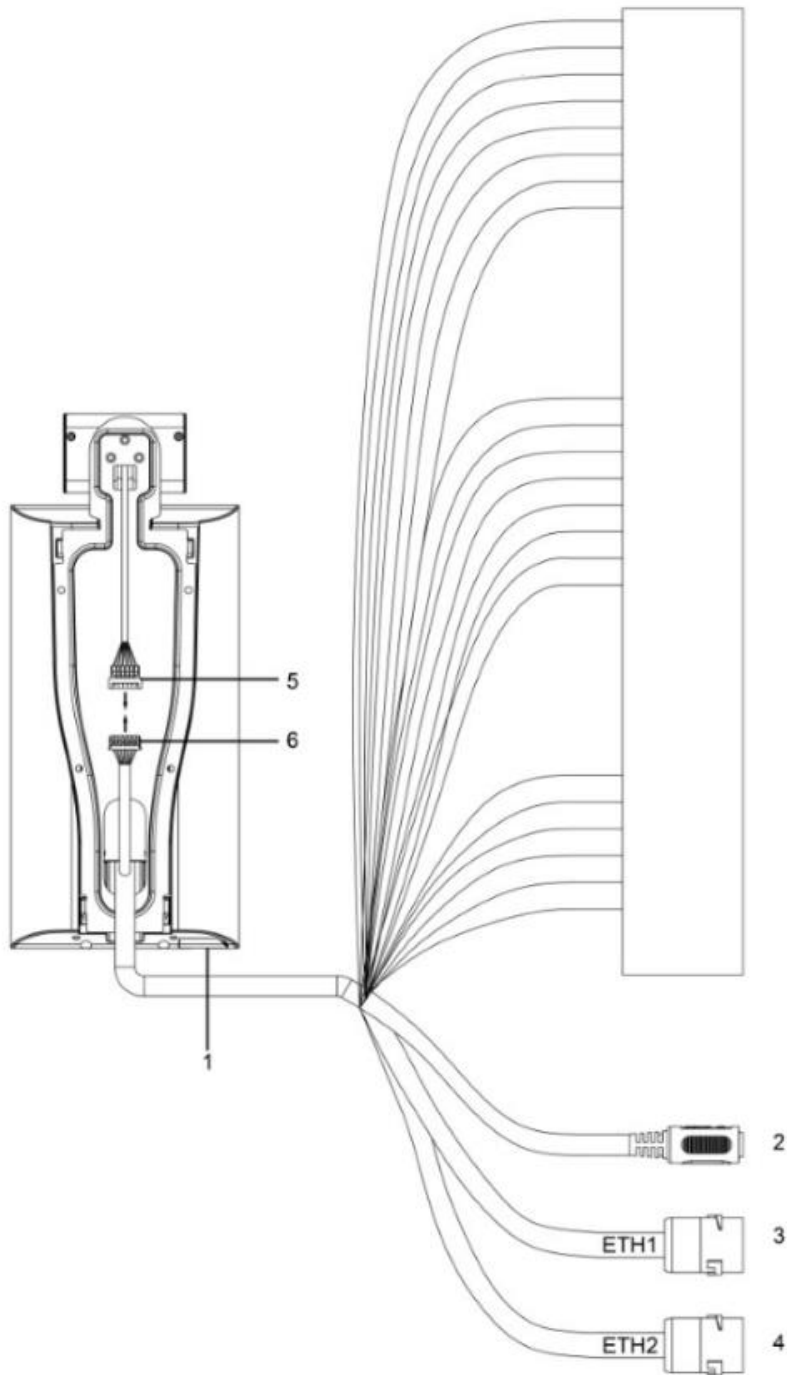
General_ASI72XXX-MCU_APP_V1.000.0000000.4.R.20200526.bin

And

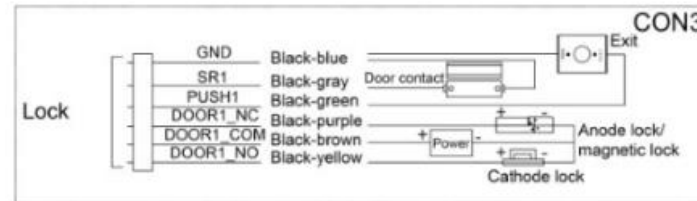
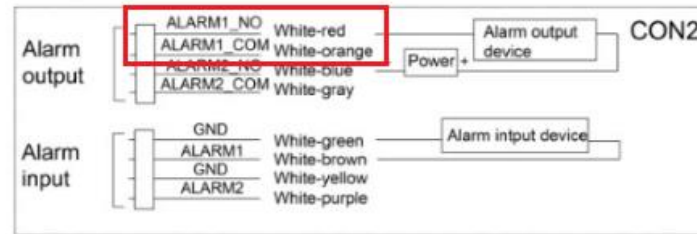
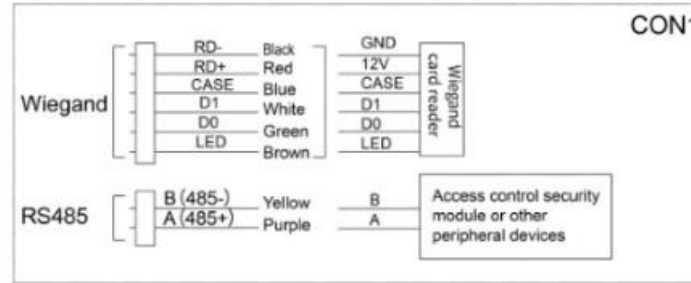
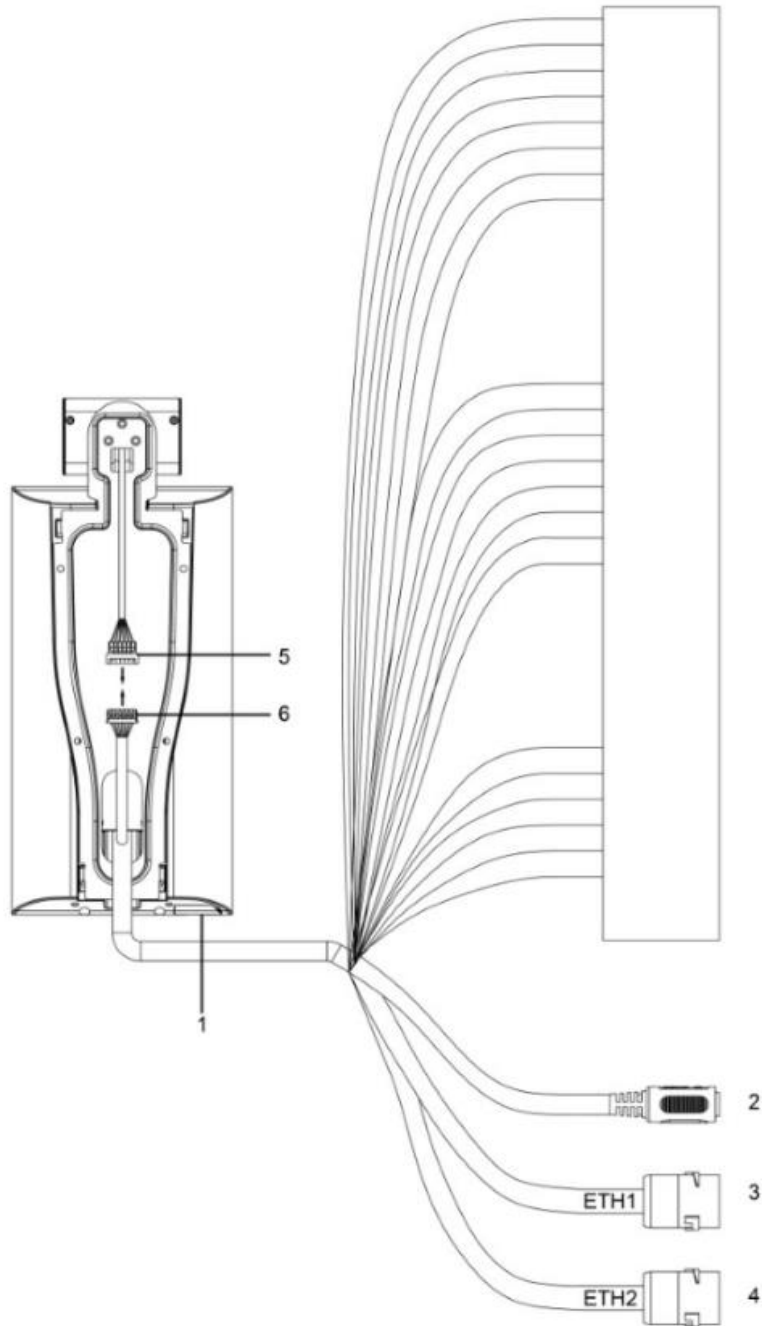
General_ASI72XXX_Eng_NP_V1.000.0000002.5.R.200831.bin

Please configure terminal like on below photos. You can activate output (marked on red color on scheme of installation. If temp. of user is OK and have mask on face, You can get access to door (.

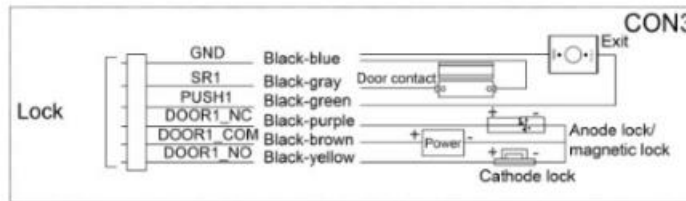
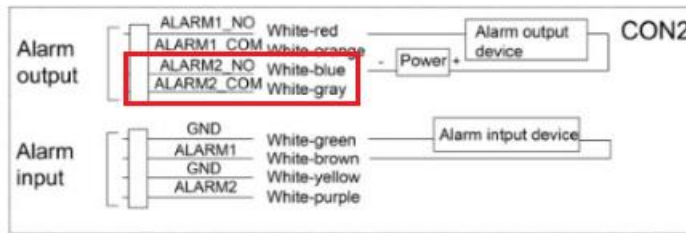
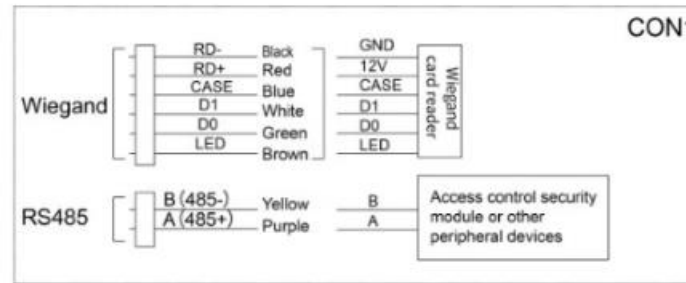
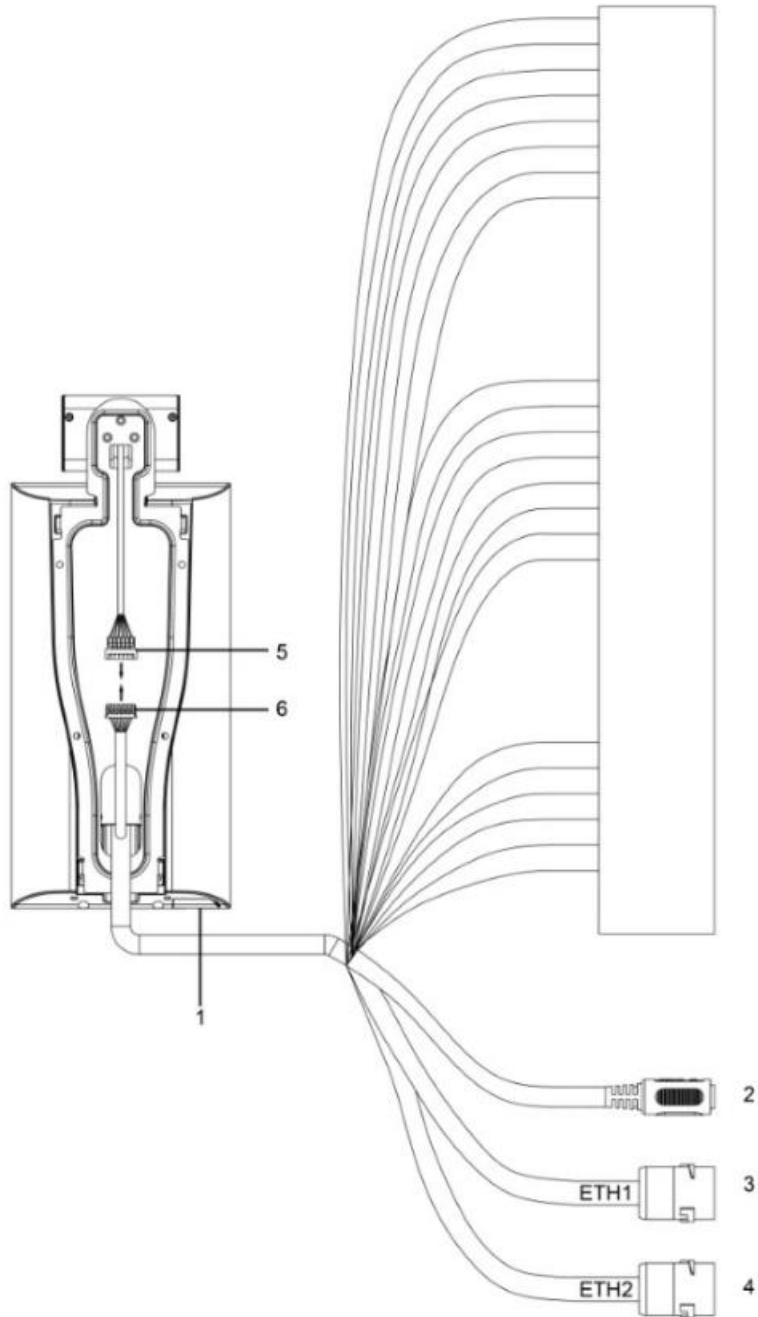




High temp is signalize on below output ALARM1_NO and ALARM1_COM:



No mask is signalize on the output ALARM2_NO and ALARM2_COM:



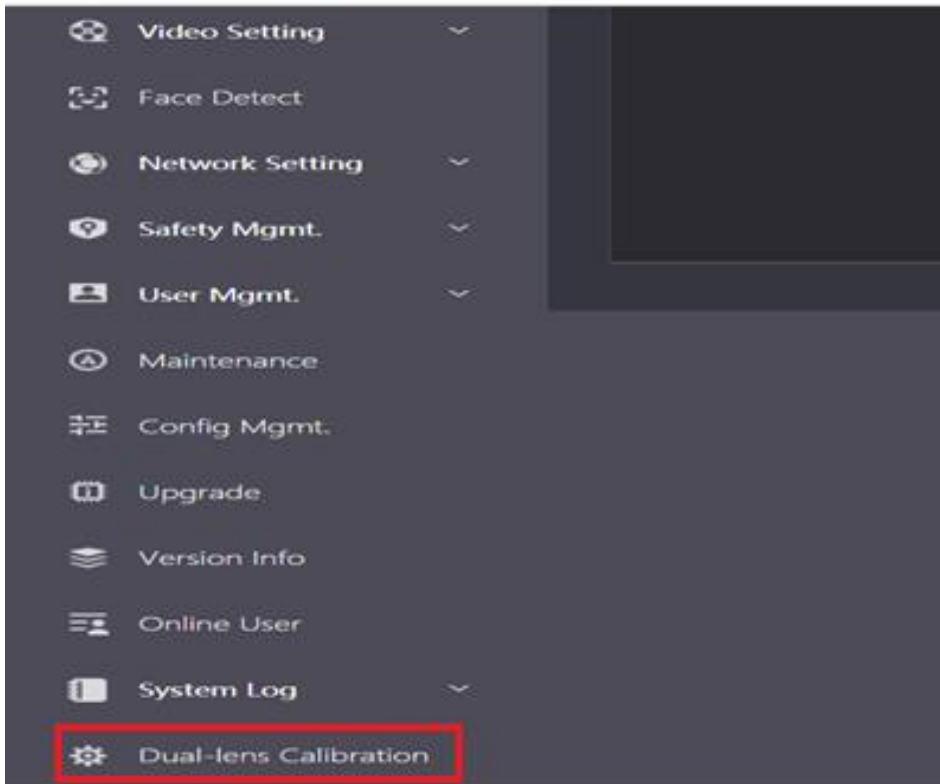
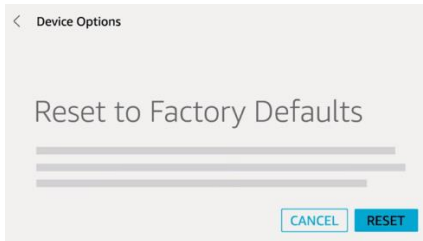
Question 2

My device has no option to check the thermal picture by web

Answer: Change the firmware to: General_ASI72XXX_Eng_NP_V1.000.0000002.5.R.200831.bin

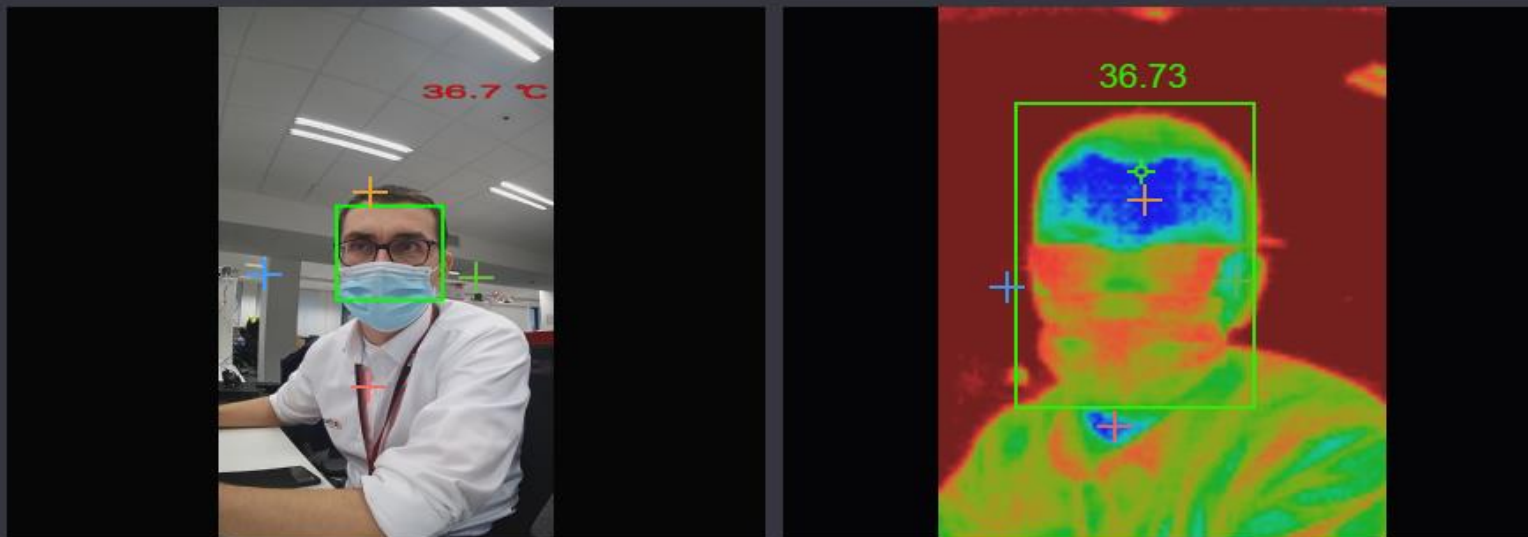
From: <https://files.dahua.support/Solutions/NCAC-%20with%20thermal%20module-%20kontrola%20dost%C4%99pu/Firmware/ASI7213X-T1%2C%20ASI7213Y-V3-T1%2B%20NVR%E3%80%81Express%E3%80%81DMSS%E3%80%81VTH/ASI7213X-T1%20and%20ASI7223X-A-T1/>,

Please reset terminal to default settings after upgrade firmware:



- Alarm Linkage ^
- Alarm Linkage
- Alarm Log
- Talkback setting v
- Data Capacity
- Video Setting v
- Face Detect
- Network Setting v
- Safety Mgmt. v
- User Mgmt. v
- Maintenance
- Config Mgmt.
- Upgrade
- Version Info

Dual-lens Calibration



Dual-lens Calibration can be used only when Calibration Mode is selected as the Temp Monitoring Mode.

Calibration Point1 Calibration Point2 Calibration Point3 Calibration Point4

Calibration Mode Mode3 v

OK Refresh Default